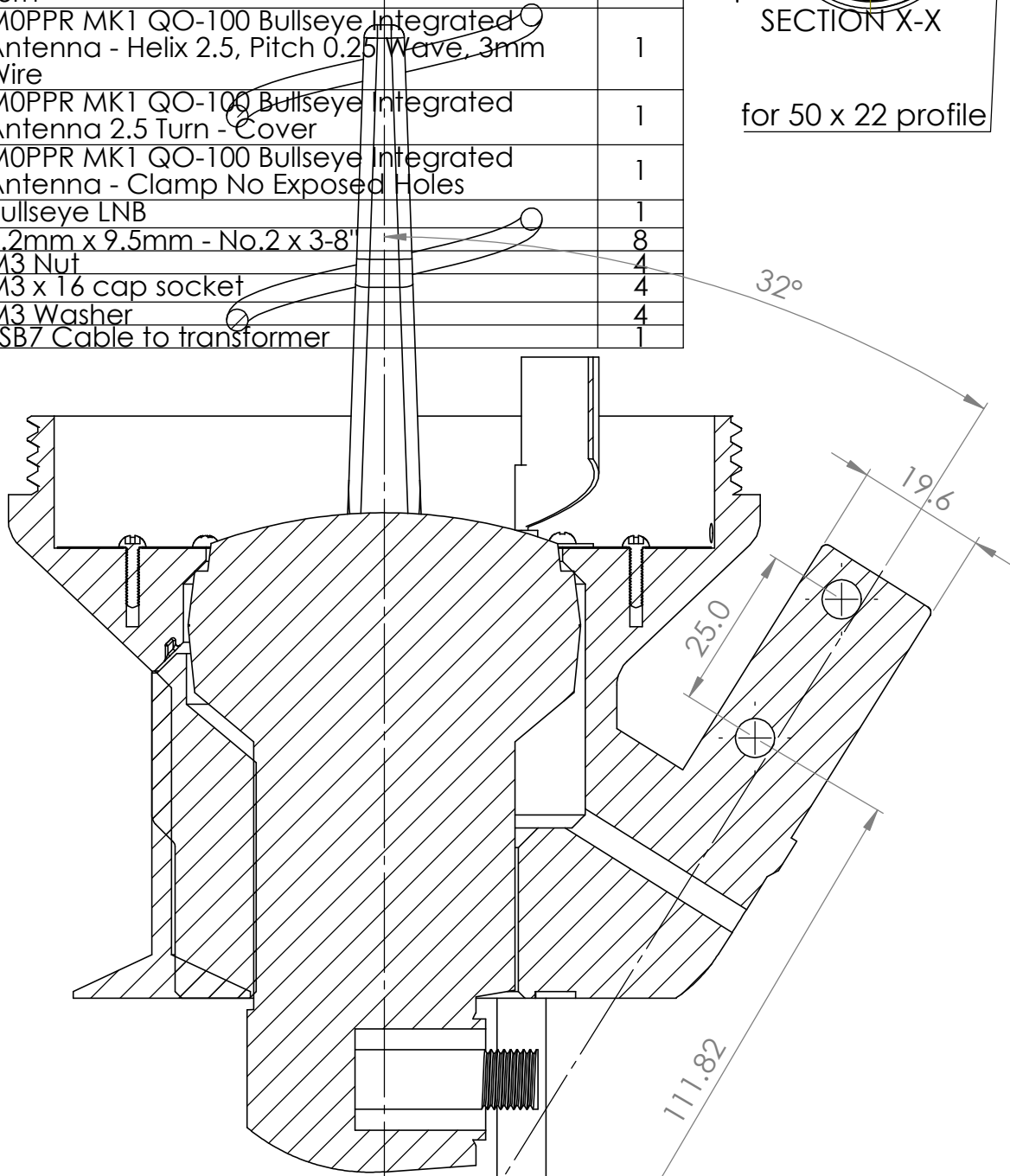
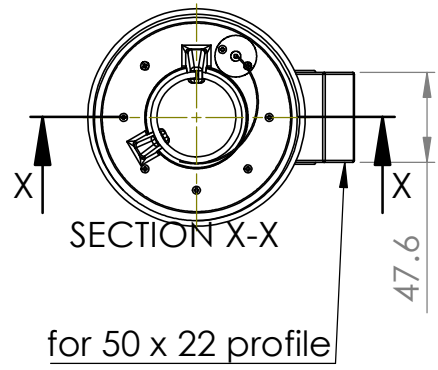


ITEM NO.	PART NUMBER	QTY.
1	M0PPR MK1 QO-100 Bullseye Integrated 80cm Gibertini OP80 Antenna - Main Holder	1
2	M0PPR MK1 QO-100 Bullseye Integrated Antenna - Reflector	1
3	M0PPR MK1 QO-100 Bullseye Integrated Antenna - Matching Transformer for Helix 2.5 Turn	1
4	M0PPR MK1 QO-100 Bullseye Integrated Antenna - Helix 2.5, Pitch 0.25 Wave, 3mm Wire	1
5	M0PPR MK1 QO-100 Bullseye Integrated Antenna 2.5 Turn - Cover	1
6	M0PPR MK1 QO-100 Bullseye Integrated Antenna - Clamp No Exposed Holes	1
7	Bullseye LNB	1
8	2.2mm x 9.5mm - No.2 x 3-8"	8
9	M3 Nut	4
10	M3 x 16 cap socket	4
11	M3 Washer	4
12	SSB7 Cable to transformer	1



UNLESS OTHERWISE SPECIFIED:
 DIMENSIONS ARE IN MILLIMETERS
 SURFACE FINISH:
 TOLERANCES:
 LINEAR:
 ANGULAR:

FINISH:

DEBURR AND
 BREAK SHARP
 EDGES

DO NOT SCALE DRAWING

REVISION

NAME	SIGNATURE	DATE
DRAWN		
CHK'D		
APPV'D		
MFG		
Q.A		

TITLE:	
MATERIAL:	
DWG NO.	M0PPR MK1 QO-100 Bullseye Integrated 80cm Gibertini OP80 Antenna - TLA
SCALE:1:1	SHEET 1 OF 1

A4