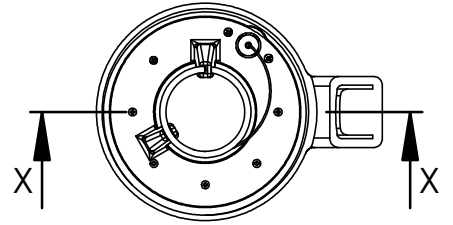
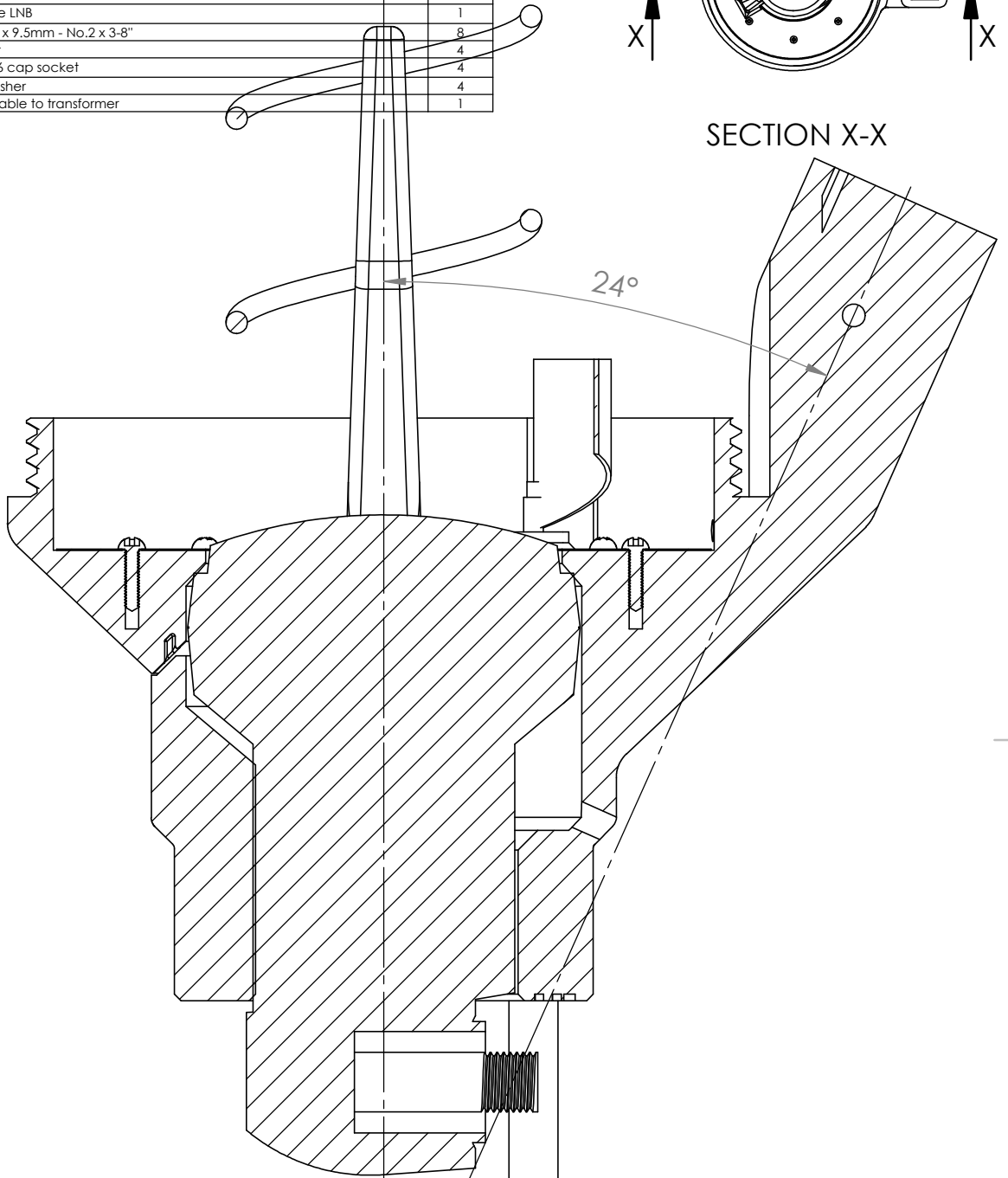


ITEM NO.	PART NUMBER	QTY.
1	M0PPR MK1 QO-100 Bullseye Integrated 65cm Antenna - Main Holder	1
2	M0PPR MK1 QO-100 Bullseye Integrated Antenna - Reflector	1
3	M0PPR MK1 QO-100 Bullseye Integrated Antenna - Matching Transformer for Helix 2.5 Turn	1
4	M0PPR MK1 QO-100 Bullseye Integrated Antenna - Helix 2.5, Pitch 0.25 Wave, 3mm Wire	1
5	M0PPR MK1 QO-100 Bullseye Integrated Antenna 2.5 Turn - Cover	1
6	M0PPR MK1 QO-100 Bullseye Integrated Antenna - Clamp No Exposed Holes	1
7	Bullseye LNB	1
8	2.2mm x 9.5mm - No.2 x 3-8"	8
9	M3 Nut	4
10	M3 x 16 cap socket	4
11	M3 Washer	4
12	SSB7 Cable to transformer	1



SECTION X-X



UNLESS OTHERWISE SPECIFIED:  
DIMENSIONS ARE IN MILLIMETERS  
SURFACE FINISH:  
TOLERANCES:  
LINEAR:  
ANGULAR:

FINISH:

DEBURR AND  
BREAK SHARP  
EDGES

DO NOT SCALE DRAWING

REVISION

NAME	SIGNATURE	DATE	TITLE:
DRAWN			
CHK'D			
APP'VD			
MFG			
Q.A			

MATERIAL:

DWG NO.

M0PPR MK1 QO-100 Bullseye Integrated 45cm x 60cm Sky Antenna with N Socket

WEIGHT:

SCALE:1:1

SHEET 1 OF 1

4

3

2

1