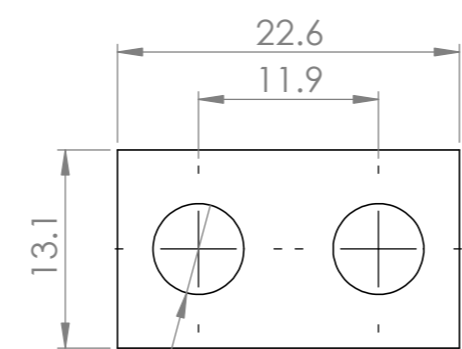
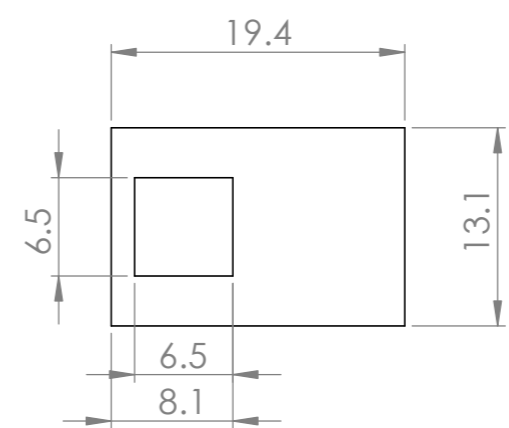
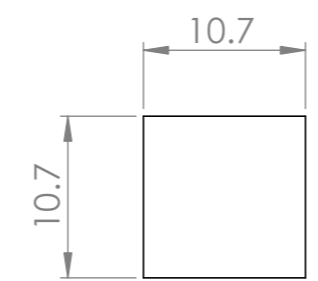
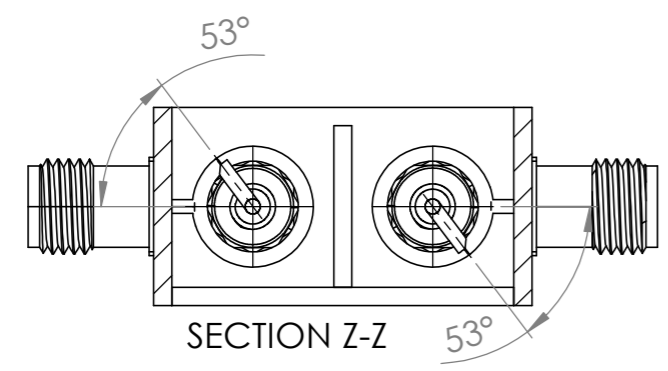
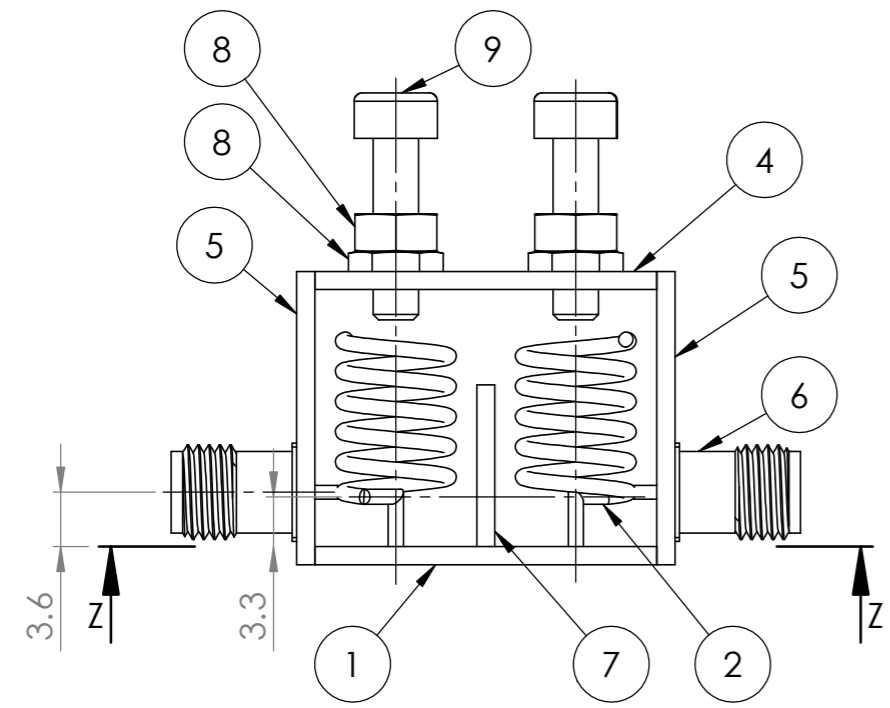


2 x  $\phi$  1.0 THRU



2 x  $\phi$  6.0 THRU



ITEM NO.	PART NUMBER	QTY.
1	739MHz Helical Filter - Base Plate	1
2	739MHz Helical Filter - Helix	2
3	739MHz Helical Filter - Bottom Plate	2
4	739MHz Helical Filter - Tuning Plate	1
5	739MHz Helical Filter - Side Plate	2
6	739MHz Female Edge Modified	2
7	739MHz Helical Filter - Separator	1
8	M3 Nut	4
9	M3 x 12 hex_socket_cylindrical_head	2

UNLESS OTHERWISE SPECIFIED:  
 DIMENSIONS ARE IN MILLIMETERS  
 SURFACE FINISH:  
 TOLERANCES:  
 LINEAR:  
 ANGULAR:

FINISH:

DEBURR AND BREAK SHARP EDGES

DO NOT SCALE DRAWING

REVISION

TITLE:

DRAWN

CHK'D

APPV'D

MFG

Q.A

NAME

SIGNATURE

DATE

MATERIAL:

WEIGHT:

DWG NO.

SCALE:2:1

SHEET 1 OF 1

A3

# 739MHz Helical Filter